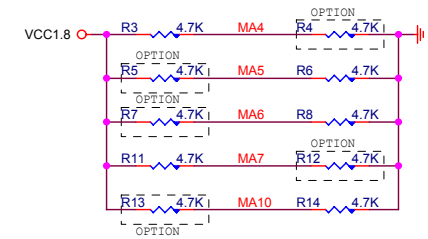


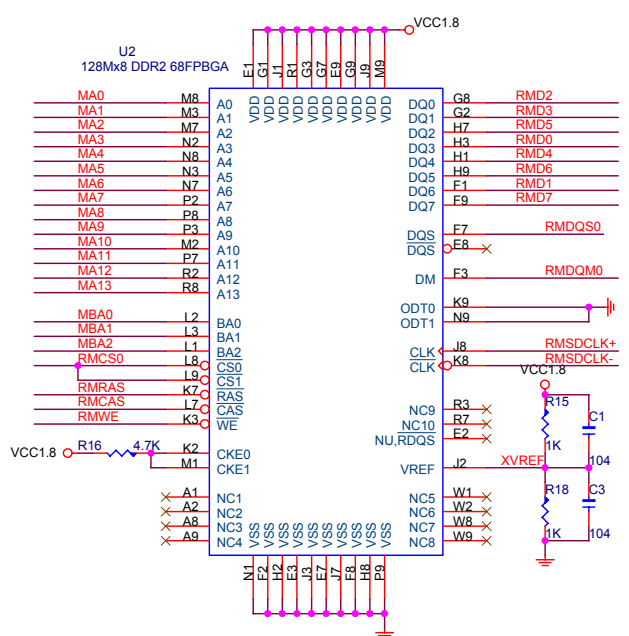
HARDWARE STRAP



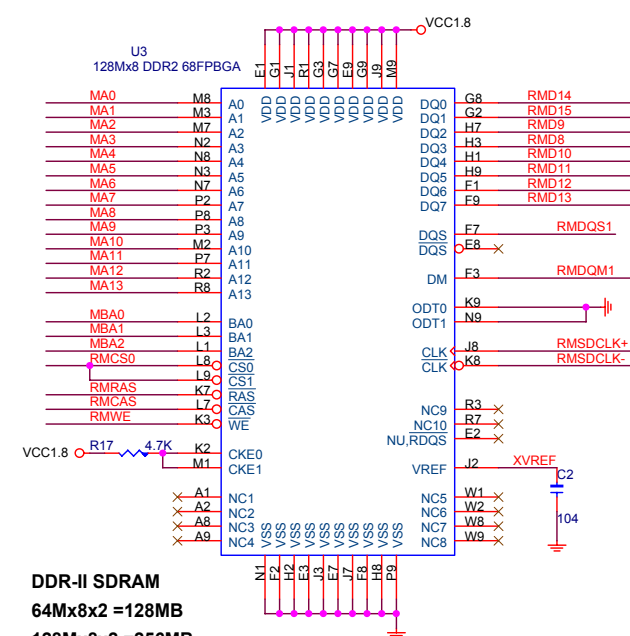
MA5,6,7: CPU CLOCK Select **300MHz**

MA4,10: DRAM CLOCK Select **133MHz**

DDR-II SDRAM
 64Mx8x2 =128MB
 128Mx8x2 =256MB



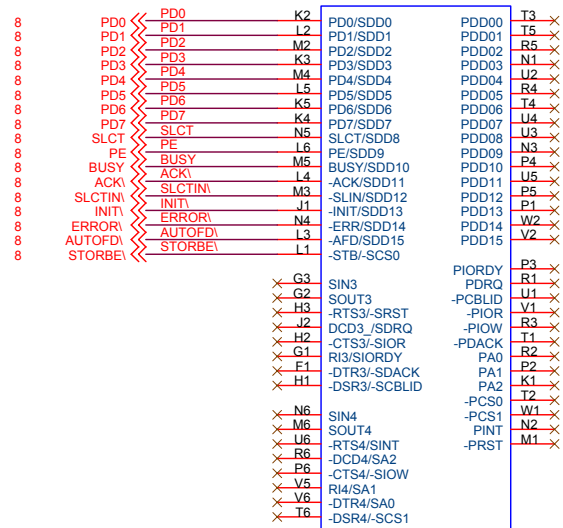
DDR-II SDRAM
 64Mx8x2=128MB
 128Mx8x2=256MB



PCB NO. DM93A
 Vortex86SX Mity-SOC
 VER :1.1

| | | |
|-----------------------------------|---------------------------|--------------|
| DMP ELECTRONICS INC. | | |
| Title Vortex86SX DDR-II Memory | | |
| Size | Document Number DM93A | Rev 1.1 |
| Date: | Tuesday, January 08, 2008 | Sheet 1 of 8 |

Vortex86SX-NOSKT U1D

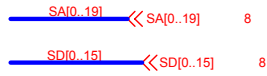


DMP ELECTRONICS INC.

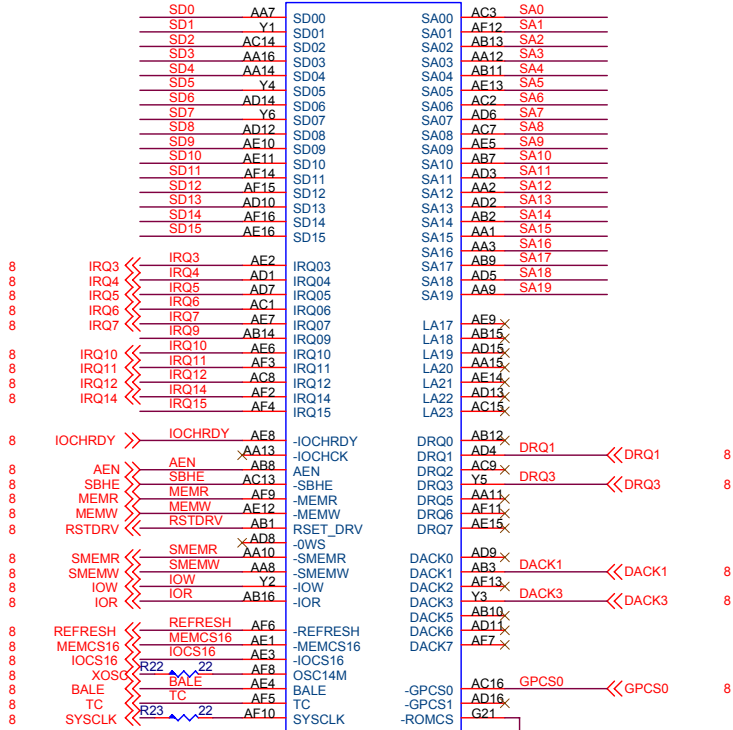


| | | |
|----------------|---------------------------|--------------|
| Title | | |
| Vortex86SX IDE | | |
| Size | Document Number | Rev |
| | DM93A | 1.1 |
| Date: | Tuesday, January 08, 2008 | Sheet 2 of 8 |

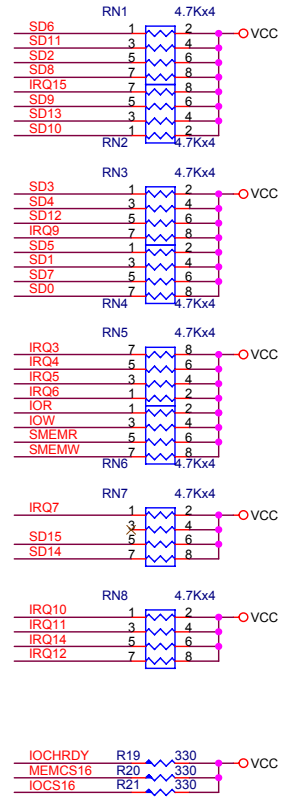
ISA BUS



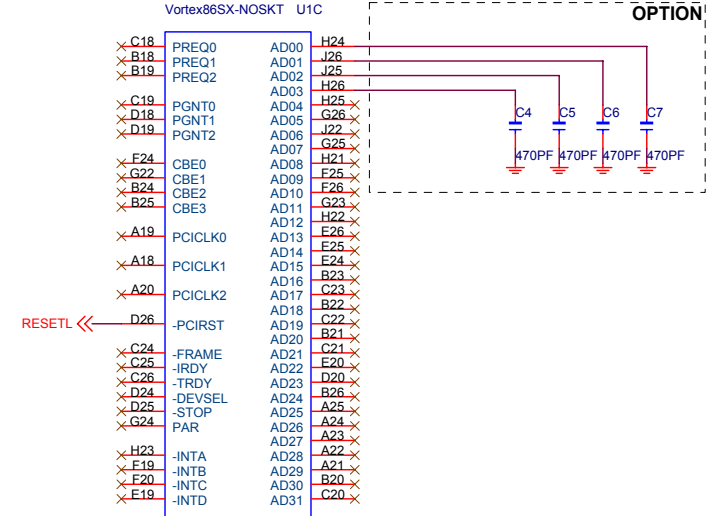
Vortex86SX-NOSKT U1B



OPTION PULL UP



PCI BUS

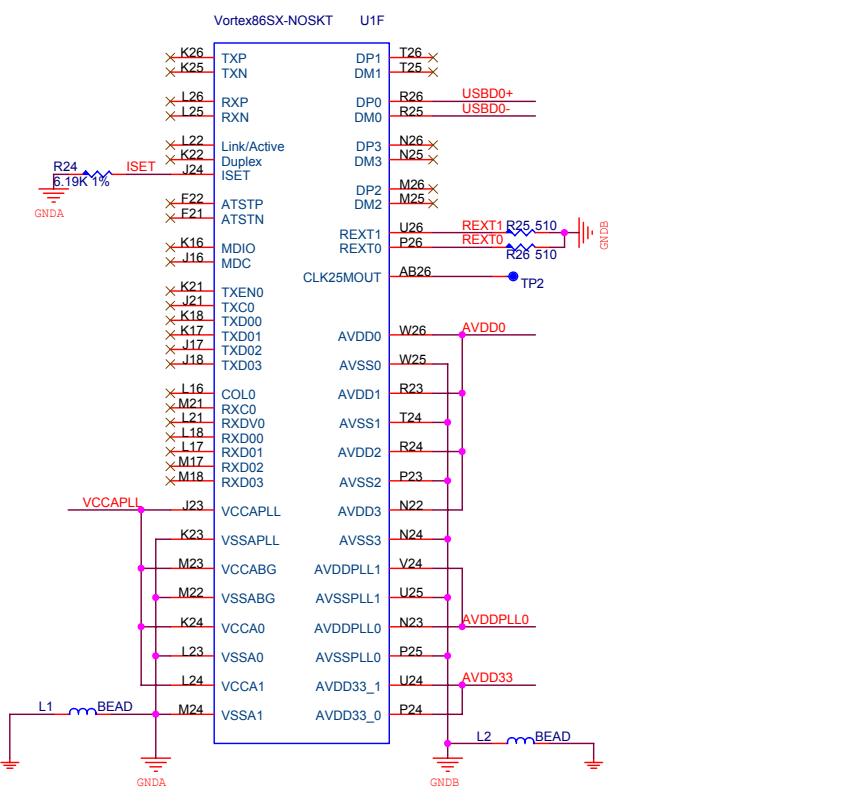


DMP ELECTRONICS INC.

Title: Vortex86SX PCI/ISA BUS

Size: Document Number: Rev: 1.1

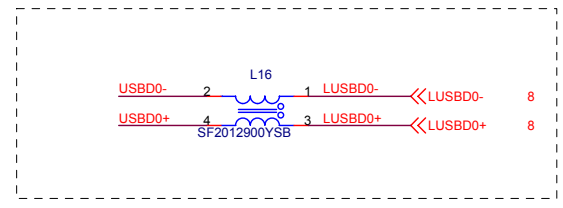
Date: Tuesday, January 08, 2008 Sheet: 3 of 8



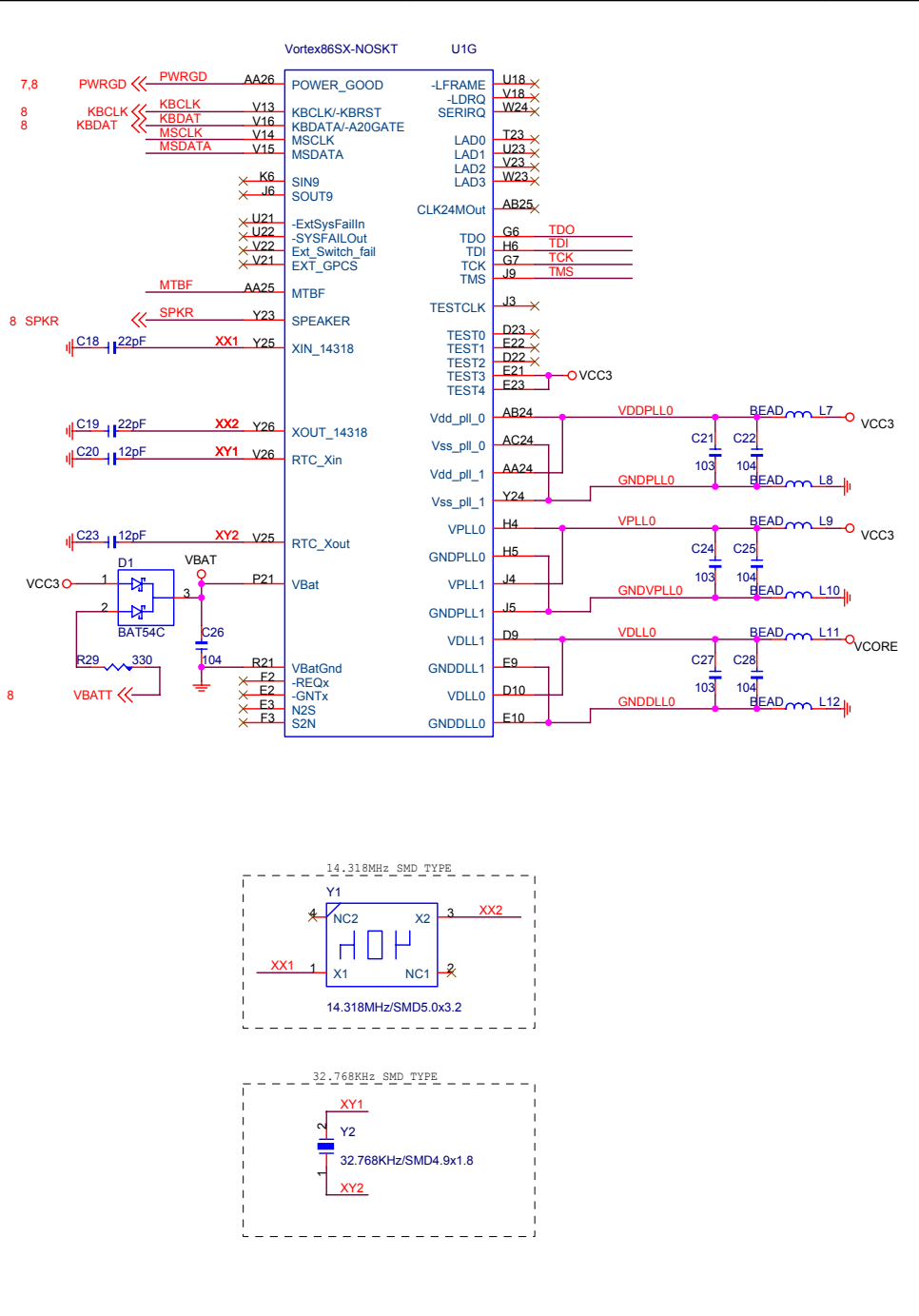
PHY ANALOG GND

USB ANALOG GND

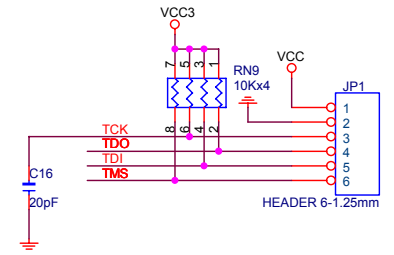
OPTION



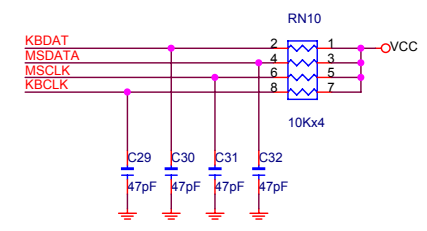
| | | |
|---------------------------------|------------------------|----------|
| DMP ELECTRONICS INC. | | |
| Title: Vortex86SX LAN/USB | | |
| Size: DM93A | Document Number: DM93A | Rev: 1.1 |
| Date: Tuesday, January 08, 2008 | Sheet: 4 | of 8 |



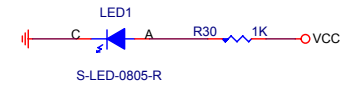
JTAG



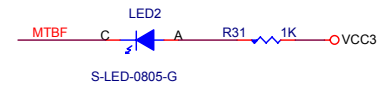
KBD/MOUSE



POWER LED

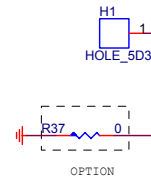
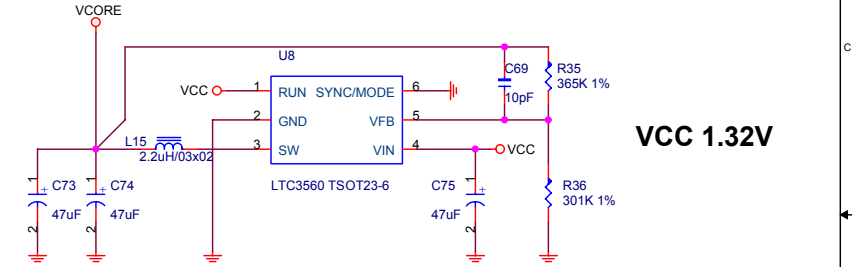
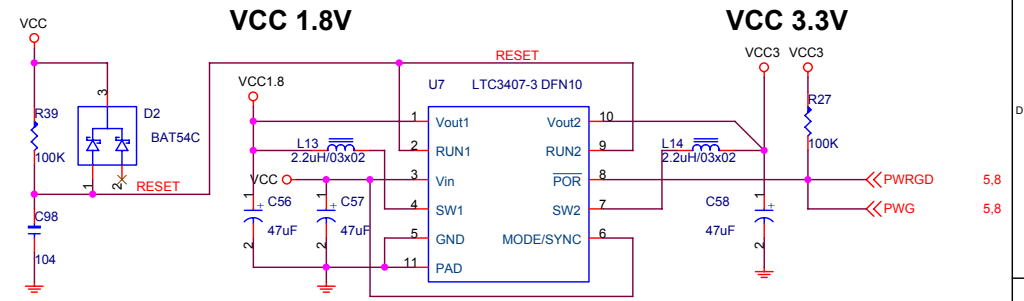
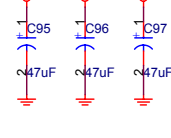
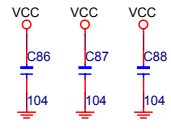
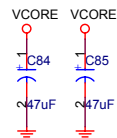
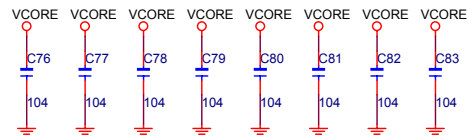
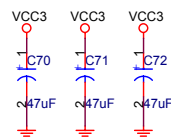
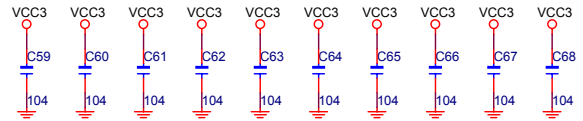
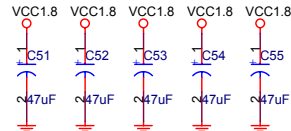
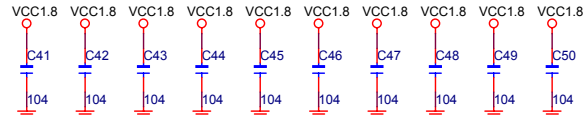
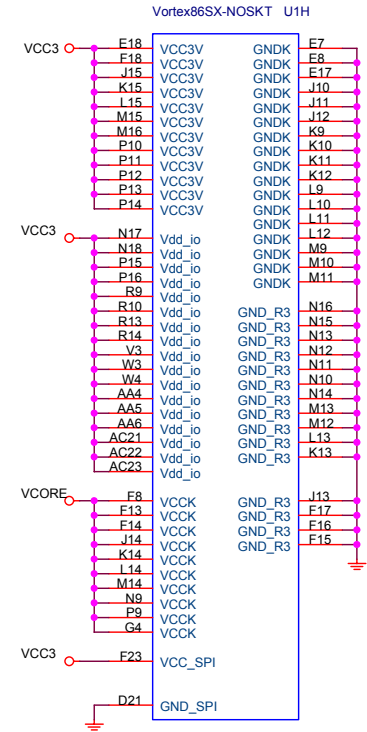
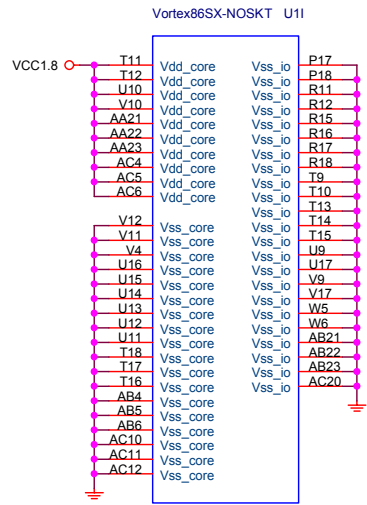


MTBF LED



DMP ELECTRONICS INC.

| | | |
|---------------------------|---------------------------|--------------|
| Title | | |
| Vortex86SXKBD/MS/LPC/JTAG | | |
| Size | Document Number | Rev |
| | DM93A | 1.1 |
| Date: | Tuesday, January 08, 2008 | Sheet 5 of 8 |



- FM1 FM40S
- FM2 FM40S
- FM3 FM40S
- FM4 FM40S
- FM5 FM40S
- FM6 FM40S

DMP ELECTRONICS INC.

| | | | | | |
|-------|---------------------------|-------|------------------|----|---|
| Title | | | Vortex86SX POWER | | |
| Size | Document Number | Rev | | | |
| | DM93A | 1.1 | | | |
| Date: | Tuesday, January 08, 2008 | Sheet | 7 | of | 8 |

